



LMC

GENERATING
MOVEMENT
EFFICIENTLY



MOTORS

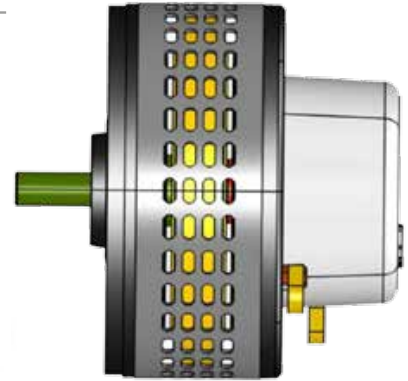
LEM-130

Overview

The LEM-130 is a 6 pole axial gap D.C. brush motor suitable for light traction and robotics applications.

Example applications include railway service vehicle, scooters, mopeds and small vehicles.

The LEM-130 is available with two options: 95 and 95S

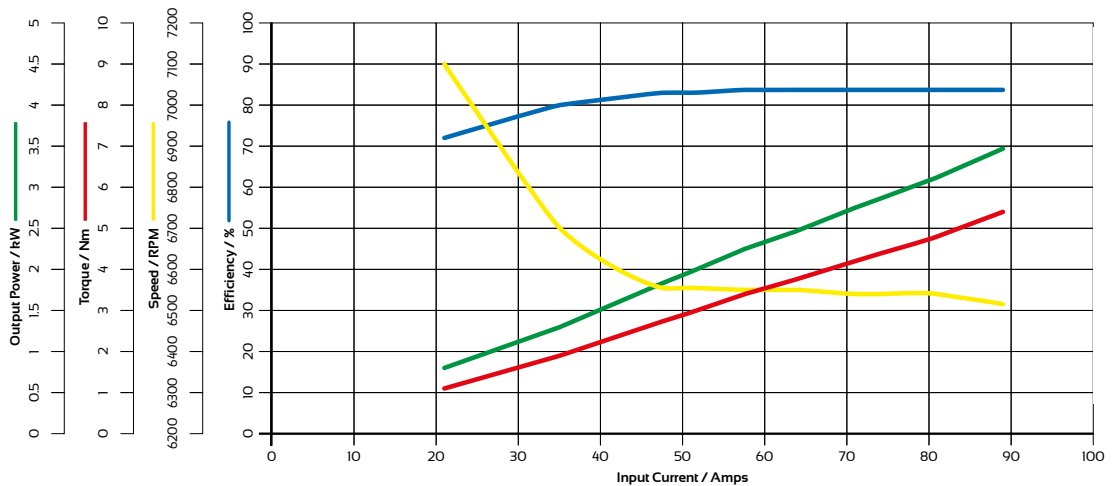


Features

- High efficiency (up to 88%)
- Lightweight design
- Simple electronic control
- Long brush Life
- Rugged Construction
- CE Marked
- Ip20 rating
- Voltage 12 to 48v

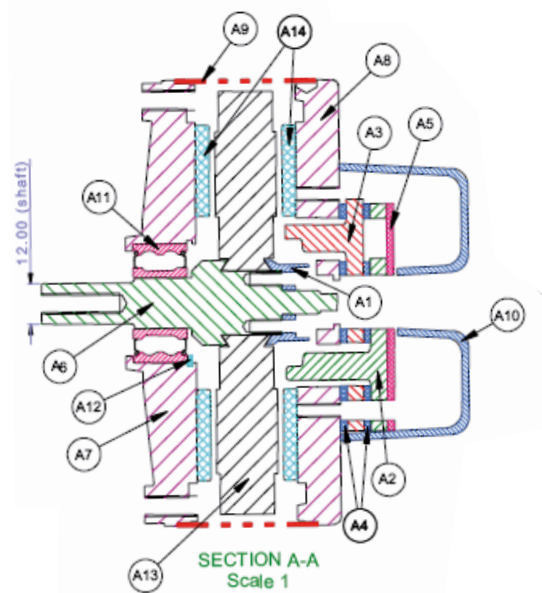
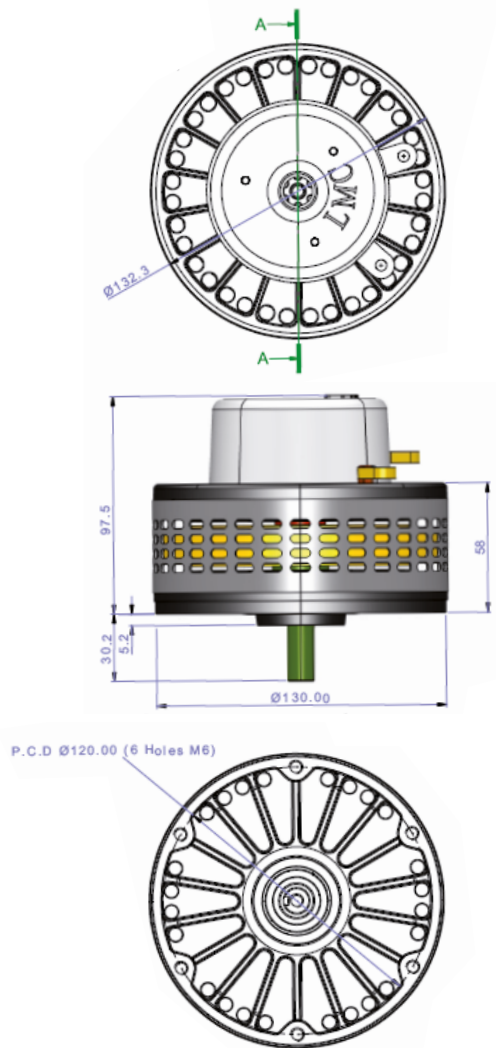
Typical Technical Data Curve

Data from LEM-130/95 (65V)



Technical Data

Motor	No Load Current	Torque Constant	Speed Constant	Armature Resistance DC	Armature Inductance @ 15kHz	Armature Inertia	Peak Power	Peak Efficiency	Peak Current	Rated Power	Rated Speed	Rated Voltage	Rated Current	Rated Torque
	A	Nm/A	Rpm/V	m	μH	Kgm ²	kW	%	A	kW	Rpm	V	A	Nm
95	6	0.0631	138	32.5	14	0.0116	3	82	100	2.27	4968	36	75	4.35
95S	6	0.0631	138	32.5	14	0.0117	4	88	100	3.02	6624	48	75	4.35



Label	QTY	PartNo.	Description
A1	1	LEM 00018 P 00	Clamping Cap
A2	1	LEM 00020 P 00	Outer Brush Holder
A3	1	LEM 00021 P 00	Inner Brush Holder
A4	2	LEM 00022 P 00	Inner Shim
A5	1	LEM 00023 P 00	Outer Shim
A6	1	LEM 00029 P 00	Shaft
A7	1	LEM 00030 P 00	Drive Casting
A8	1	LEM 00031 P 00	Commutator Casting
A9	1	LEM 00032 P 00	Band Cover
A10	1	LEM 00033 P 00	Brush Holder Cover
A11	1	LEM 00049 P 00	Drive Bearing
A12	1	LEM 00050 P 00	Circlip
A13	1	LEM 00070 P 00	Armature
A14	12	LEM 00071 P 00	Drive Magnets

Dimensions: MM



GENERATING
MOVEMENT
EFFICIENTLY

LCM Limited, Lynch Motor Company Ltd, Unit 27,
Flightway Business Park, Dunkeswell, Honiton, Devon EX14 4RJ
Tel: +44 (0) 1404 892940 Fax: +44 (0) 1404 891990
email: sales@lmcltd.net www.lmcltd.net

