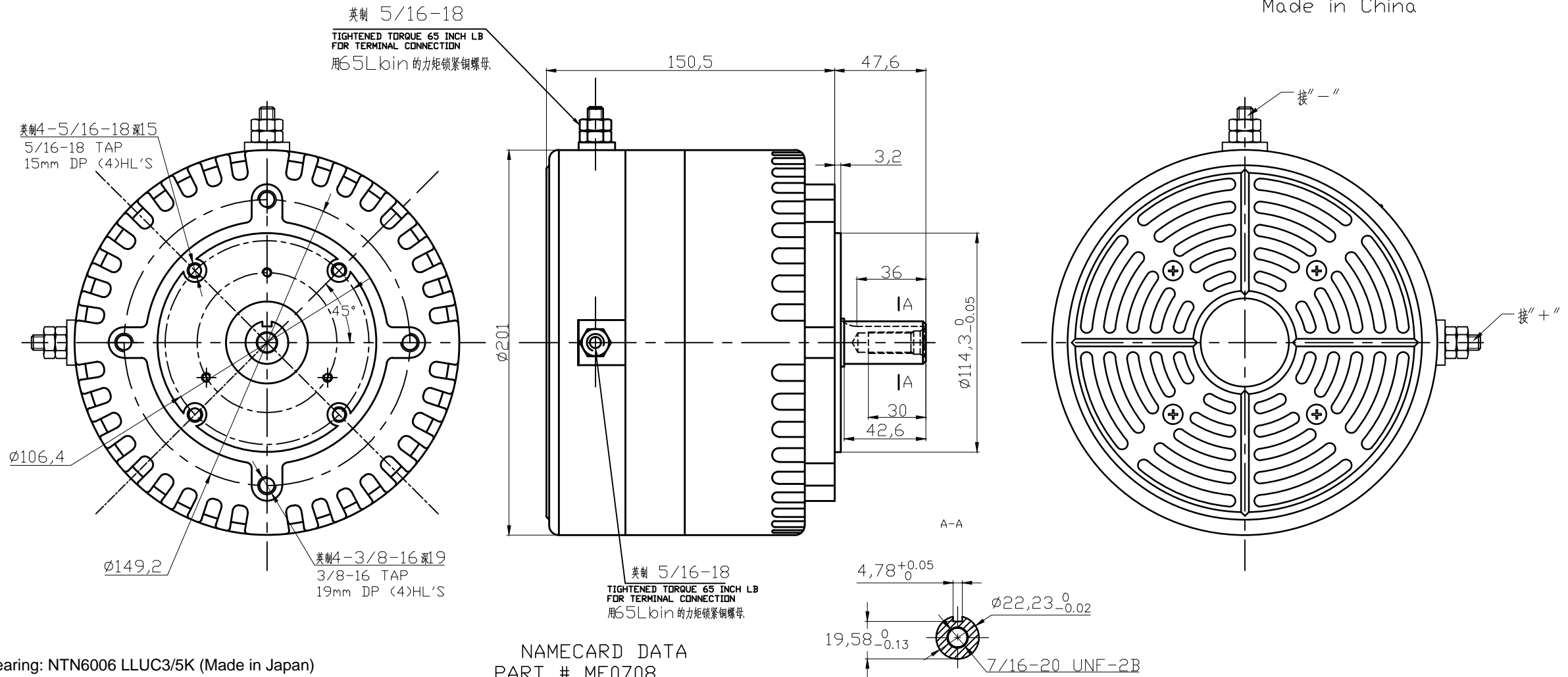


技术要求:
1、电机允许顺、逆方向运行,按图不接线,从轴伸端视为逆时针方向。
2、电机前轴承型号采用NTN6006 LLUC3/5K(日本原装)。
4、电机用聚苯乙烯泡沫和普通白盒包装,每台电机上应刻上铭牌。
5、包装盒上需注: Date Code:xxxxxx
Part Number:ME0708
Made in China



- NOTES:
1.CCW
2.Front bearing: NTN6006 LLUC3/5K (Made in Japan)
3.Product to be shipped in plain white box, styrofoam packaging
Include Dyno Plot in box.
4.Box to be marked:
Date Code: XXXXXXXX
Part Number: ME0708
Made in China

NAMECARD DATA
PART # ME0708
DATE CODE XXXXXX
SERIAL #:XX.XX.XXXX
MOTENERGY, INC.
SLINGER, WI USA

规格表

型号 MODEL	输出功率 (W) POWER(W)	电压 (V.DC) VOLTAGE (V.DC)	转矩 (LB IN) TORQUE (LB IN)	额定转速 (RPM) LOADED SPEED (RPM)	空载转速 (RPM) NO LOAD SPEED (RPM)	电流 (A) CURRENT (A)
200SYX01	6060	48	160	3200 ⁺²⁵⁰ ₋₂₀₀	appr. 3700	≥148

REV.	CHANGES	BY	ECO NO.	DATE	DO NOT SCALE DRAWING THIS DRAWING IS PROPRIETARY PROPERTY OF MOTENERGY, INC. DISCLOSED IN CONFIDENCE, WHICH MAY NOT BE USED OR DISCLOSED WITHOUT PERMISSION. RETURN PROMPTLY AFTER USE.	DIMENSIONING AND TOLERANCING PER ANSI Y14.5M-1994	MATERIAL	TITLE OUTLINE 200SYX01 永磁式直流叠式电动机 外形图	MOTENERGY, INC. SLINGER, WISCONSIN, U.S.A.
-	-	-	-	-	-	CLASSIFICATION OF CHARACTERISTICS		DRAWN: XIXING 07.09.13	
-	-	-	-	-	-	CRITICAL (C):	S/N:	APPR: JAF 11.04.08	DESIGN VENDOR: -
-	-	-	-	-	-	MAJOR (M):	MODEL NO:	DEPT:	ME0708
-	-	-	-	-	-		SIM TO:	SCALE: -	OJ.WT. 300.350

200SYX01

B

A

A

B